

Item	Item No	Description	Q-ty	Note
	1	Inflatable Tube	1	
	2	Fiberglass hull	1	
	3	Inflation-deflation valve "Leafild"	3	
	4	Bow Hatch	1	
	5	Drain plug d20	1	
	6	U-bolt	4	
	7	Rubbing strake, 60mm	1	
	8	Motor Plate External	1	
	9	Rear Waterski Towing Eye	1	
	10	Bow Step Plate with navigation sidelights	1	
	11	Steering Console CL-30	1	
	12	Rear hatch	1	
	13	Rear Seat Back	1	
	14	White navigation light	1	
	15	Rear pull-up cleat	2	

MAIN DIMENSIONS (in cm)

Length overall 360
 Length internal 240
 Width overall 185
 Width internal 94

CAPACITY

Passenger capacity (persons) 5
 Category C
 Max loading capacity (kg) 650
 In-package boat weight (kg) 280
 Bare boat weight (kg) 180

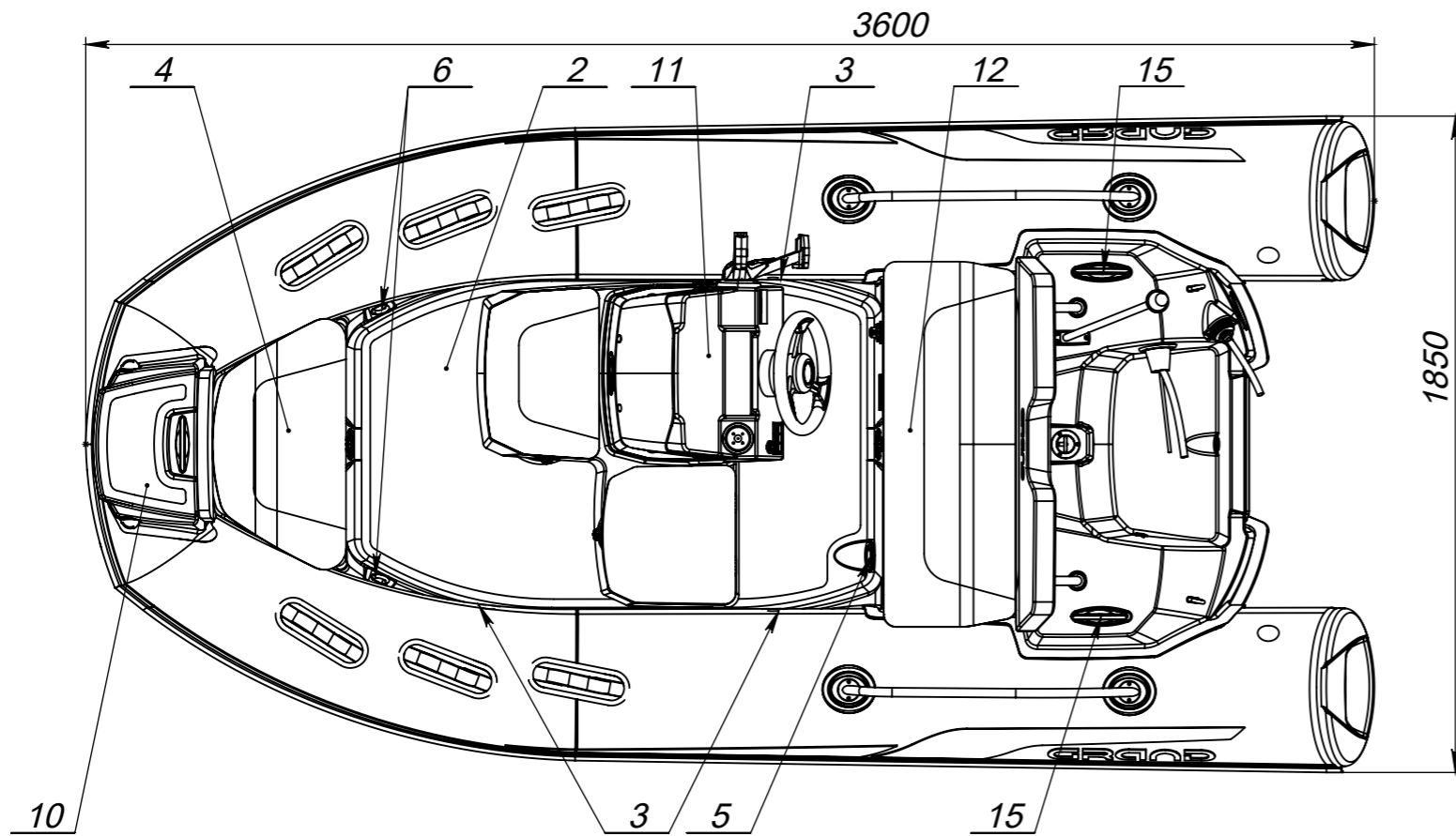
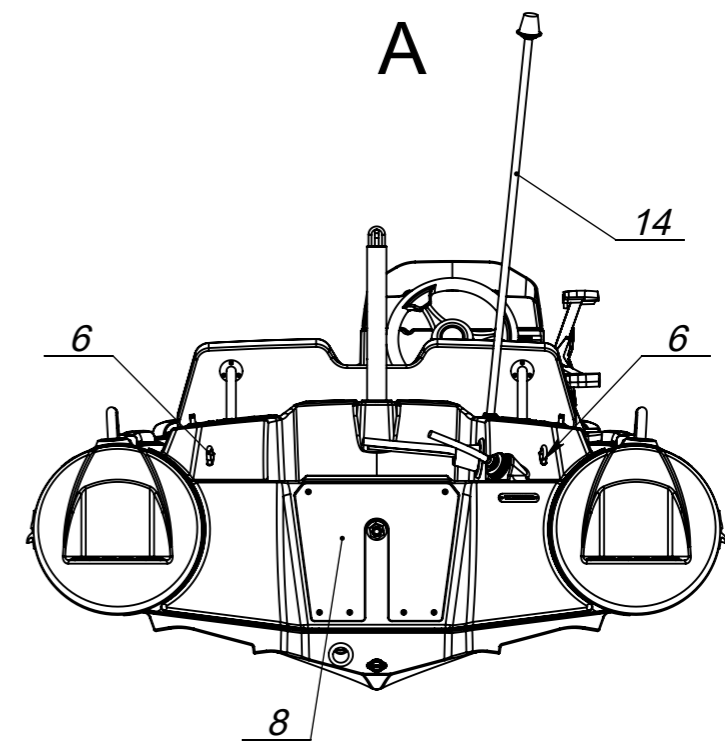
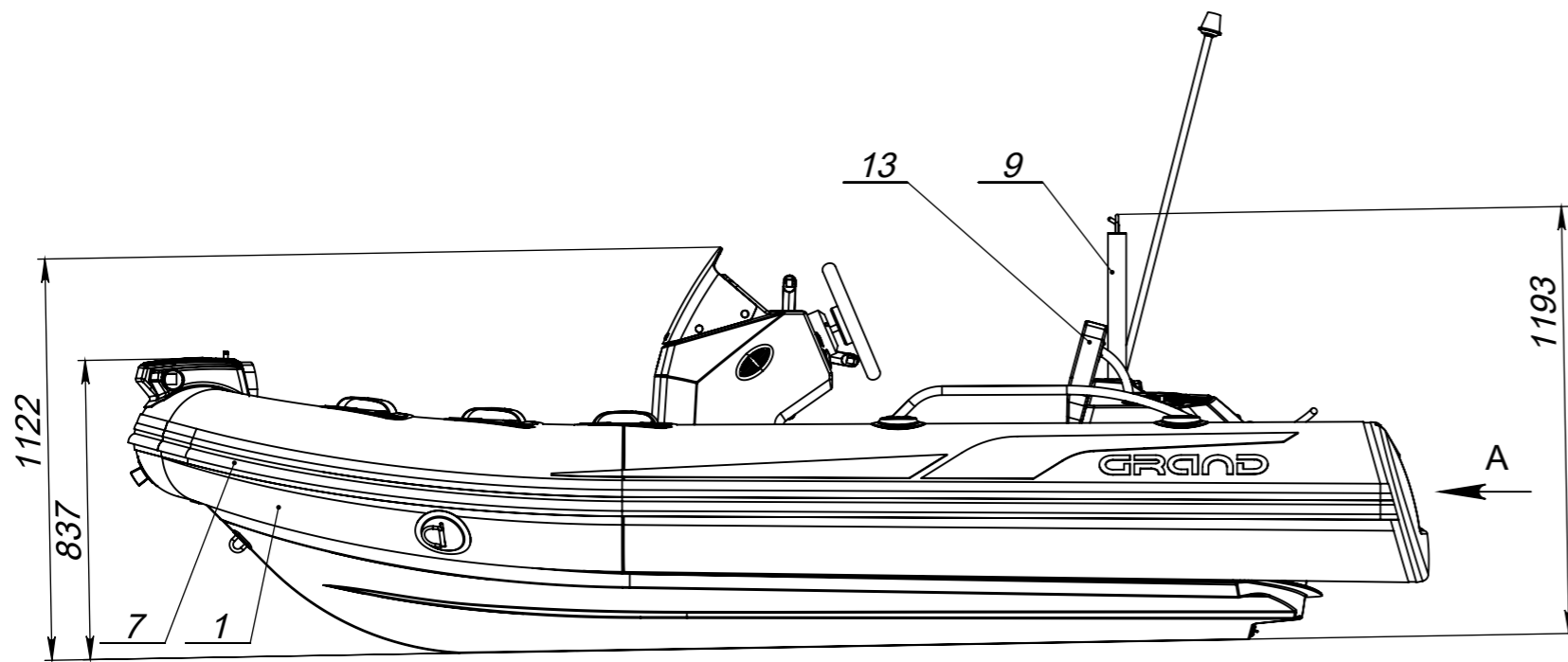
TUBE

Tube diameter (cm) 45
 Number of chambers 3
 Tube volume (m³) 0,94
 Tube material PVC/Hypalon

Recommended HP 40
 Max HP 50

PROPRIETARY AND CONFIDENTIAL THE INFORMATION CONTAINED IN THIS DRAWING IS THE SOLE PROPERTY OF GRAND MARINE CORPORATION. ANY REPRODUCTION IN PART OR AS A WHOLE WITHOUT THE WRITTEN PERMISSION OF GRAND MARINE CORPORATION IS PROHIBITED

UNLESS OTHERWISE SPECIFIED: DIMENSIONS ARE IN MILLIMETERS		FINISH:		DEBUR AND BREAK SHARP EDGES		DO NOT SCALE DRAWING		REVISION	
SURFACE FINISH:									
TOLERANCES:									
LINEAR:									
ANGULAR:									
NAME	SIGNATURE	DATE				TITLE: Golden Line G380N General View			
DRAWN						ITEM: A3			
CHKD									
APPVD									
MFG									
Q.A									
					MATERIAL:				
					WEIGHT:				
					SCALE:	SHEET 1 OF 1			



1	Inflatable Tube	1
2	Fiberglass hull	1
3	Inflation-deflation valve "Leafild"	3
4	Bow Hatch	1
5	Drain plug d20	1
6	U-bolt	4
7	Rubbing strake, 60mm	1
8	Motor Plate External	1
9	Rear Waterski Towing Eye	1
10	Bow Step Plate with navigation sidelights	1
11	Steering Console CL-30-1 (with two seats)	1
12	Rear hatch	1
13	Rear Seat Back	1
14	White navigation light	1
15	Rear pull-up cleat	2

MAIN DIMENSIONS (in cm)

Length overall 360
 Length internal 240
 Width overall 185
 Width internal 94

CAPACITY

Passenger capacity (persons) 5
 Category C
 Max loading capacity (kg) 650
 In-package boat weight (kg) 284
 Bare boat weight (kg) 184

TUBE

Tube diameter (cm) 45
 Number of chambers 3
 Tube volume (m³) 0,94
 Tube material PVC/Hypalon

Recommended HP 40
 Max HP 50

PROPRIETARY AND CONFIDENTIAL THE INFORMATION CONTAINED IN THIS DRAWING IS THE SOLE PROPERTY OF GRAND MARINE CORPORATION. ANY REPRODUCTION IN PART OR AS A WHOLE WITHOUT THE WRITTEN PERMISSION OF GRAND MARINE CORPORATION IS PROHIBITED

UNLESS OTHERWISE SPECIFIED: DIMENSIONS ARE IN MILLIMETERS		FINISH:		DEBUR AND BREAK SHARP EDGES		DO NOT SCALE DRAWING		REVISION	
SURFACE FINISH:									
TOLERANCES:									
LINEAR:									
ANGULAR:									
NAME	SIGNATURE	DATE				TITLE: Golden Line G380N with CL-30-1 General View			
DRAWN						ITEM:			
CHKD						A3			
APPVD									
MFG									
QA									
					MATERIAL:				
					WEIGHT:	SCALE:			
						SHEET 1 OF 1			